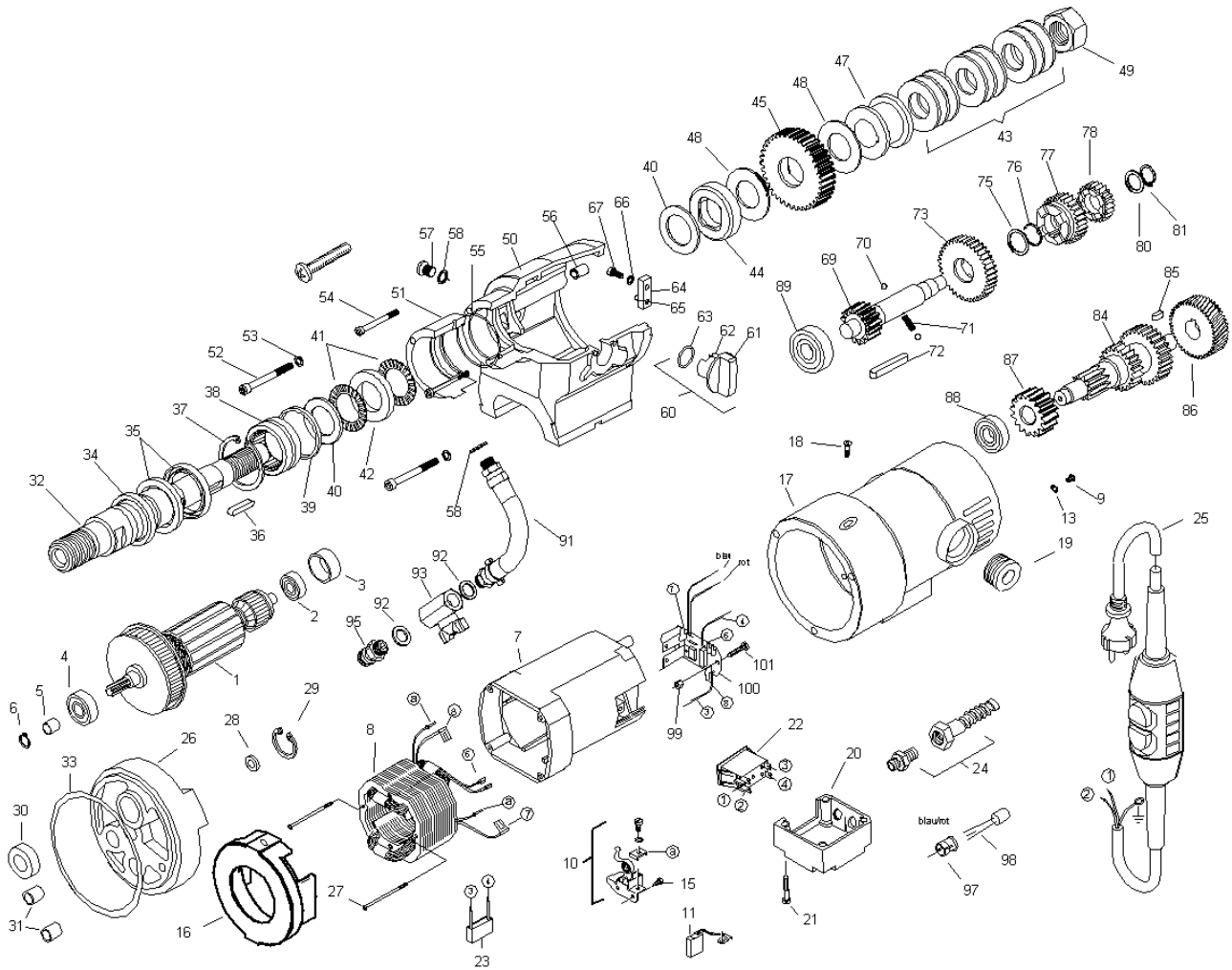


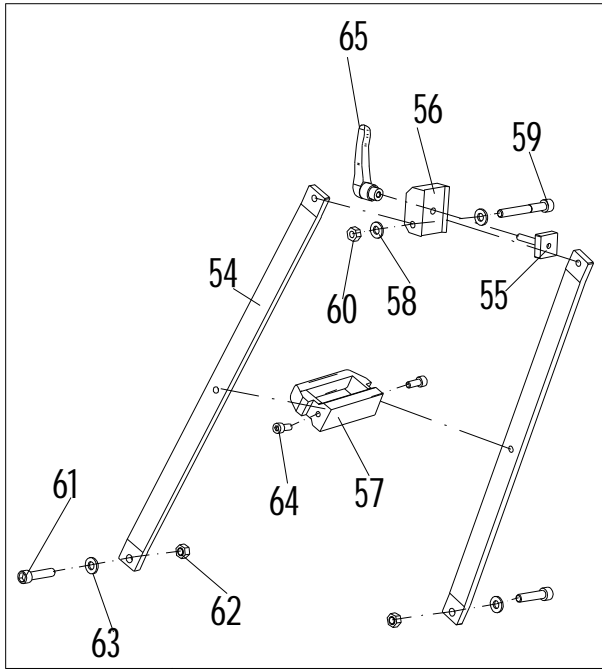
RIDGID® RB-208/3 Motor (33441)



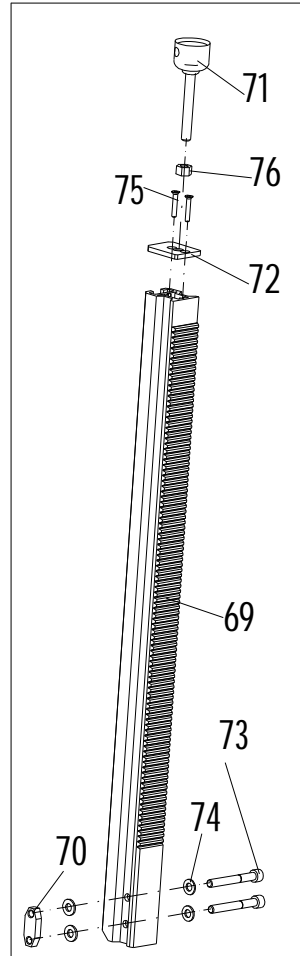
| Nr. | Description | Cat.nr | Nr. | Description | Cat.nr | Nr. | Description | Cat.nr |
|-----|-------------------------|--------|-----|----------------------------|--------|-----|-----------------------|--------|
| 1 | ARMATURE ASSY | 70776 | 34 | SEAL 40X52X7 | 71096 | 66 | LOCKWASHER 5 | 71406 |
| 2 | BALL BEARING 6000 2Z | 65426 | 35 | SEAL 40X55X7 | 71106 | 67 | UMBRACO SCREW M5X12 | 71416 |
| 3 | BEARING SLEEVE | 65346 | 36 | WOODRUFF KEY 6X6X32 | 65816 | 69 | 2ND INTERMEDIATE GEAR | 71426 |
| 4 | BALL BEARING 6201 RSZ | 70806 | 37 | CIRCLIPS 52/2 | 71126 | 70 | BALL 5 | 71436 |
| 5 | BUSHING 12X15X12,5 | 70816 | 38 | NEEDLE BEARING 37 | 71136 | 71 | COPRESSION SPRING | 71446 |
| 6 | CIRCLIP 12/1 | 70826 | 39 | STEEL RING | 71146 | 72 | WOODRUFFKEY 6X6X50 | 71686 |
| 7 | MOTORHOUSING | 70836 | 40 | DRIVE PLATE | 71156 | 73 | SINGLE GEAR #1 | 71696 |
| 8 | FIELD | 70846 | 41 | THRUST BEARING 3047 | 71166 | 75 | SPACER 12/18X1,5 | 71556 |
| 9 | SCREW M4X6 | 65586 | 42 | INNER WASHER | 71176 | 76 | RING 20X1,2 | 71736 |
| 10 | BRUSHHOLDER ASSY | 65396 | 43 | BELLEVILLE WASH. 50X25,4X3 | 71186 | 77 | SHIFT-GEAR | 71746 |
| 11 | SET OF CARBON BRUSHES | 64786 | 44 | PRESSURE RING | 71196 | 78 | SINGLE GEAR #2 | 71756 |
| 13 | LOCKWASHER 4,3 | 64836 | 45 | CLUTCH - GEAR | 71206 | 80 | SPACER 16/22X1 | 71536 |
| 15 | SCREW 2,9X13 | 56186 | 47 | PRESSURE BUSHING | 71226 | 81 | CIRCLIPS 16/1 | 71546 |
| 16 | FAN HOUSING | 70926 | 48 | FRICTION DISC | 71236 | 84 | 1ST INTERMEDIATE GEAR | 71566 |
| 17 | GUARD F. MOTORHOUSING | 79396 | 49 | HEXNUT M24X1,5 | 70946 | 85 | WOODRUFFKEY 5X5X10 | 71576 |
| 18 | SCREW 4,2X25 | 56136 | 50 | GEARCASE | 79426 | 86 | MAIN DRIVE GEAR | 71586 |
| 19 | BRUSHCAP | 70956 | 51 | WATERCOLLECTOR | 71266 | 87 | HELICAL GEAR | 71596 |
| 20 | SWITCHBOX | 70966 | 52 | UMBRACO SCREW M6X65 | 71276 | 88 | BALL BEARING 6001 | 71606 |
| 21 | SCREW M5X35 | 70976 | 53 | LOCKWASHER 6 | 71286 | 89 | BALL BEARING 6302 | 71616 |
| 22 | SWITCH | 65516 | 54 | UMBRACO SCREW M5X55 | 71296 | 91 | HOSE ASSY | 65286 |
| 23 | SUPPRESSOR | 70996 | 55 | O-RING 50,52X1,78 | 71306 | 92 | SEAL 1/4 | 65326 |
| 24 | STRAIN RELIEF | 65506 | 56 | BUSHING | 71316 | 93 | VALVE | 65316 |
| 25 | LINE CORD W. GFI SWITCH | 64916 | 57 | GREASE FILLING CAP 1/8 | 71326 | 95 | CONNECTOR GARDENA | 79436 |
| 26 | MOTOR-GEARCASE ADAPTER | 79406 | 58 | SEAL 1/8 | 65086 | 97 | DIODE HOLDER | 70646 |
| 27 | SPACER | 79416 | 60 | SHIFT KNOB ASSY | 71346 | 98 | DIODE | 70656 |
| 28 | SEAL 15X21X3 | 71046 | 61 | SHIFTER KNOB | 71356 | 99 | PLASTIC NUT M5 | 55936 |
| 29 | CIRCLIP 32/1,5 | 71056 | 62 | DOWEL PIN 4M6X12 | 71366 | 100 | CONNECTOR PLATE | 79446 |
| 30 | BUSHING 2012 | 71066 | 63 | O-RING 18,77X1,75 | 71376 | 101 | SCREW 4,2X25 | 56136 |
| 31 | BUSHING 1212 | 71076 | 64 | SHIFT SLIDE | 71386 | | GEAR OIL 1 LITER | 72686 |
| 32 | OUTPUTSPINDLE | 71086 | 65 | DOWEL PIN 5M6X12 | 71396 | | ADAPTER PLATE | 78216 |
| 33 | O-RING | 71806 | | | | | | |

RIDGID

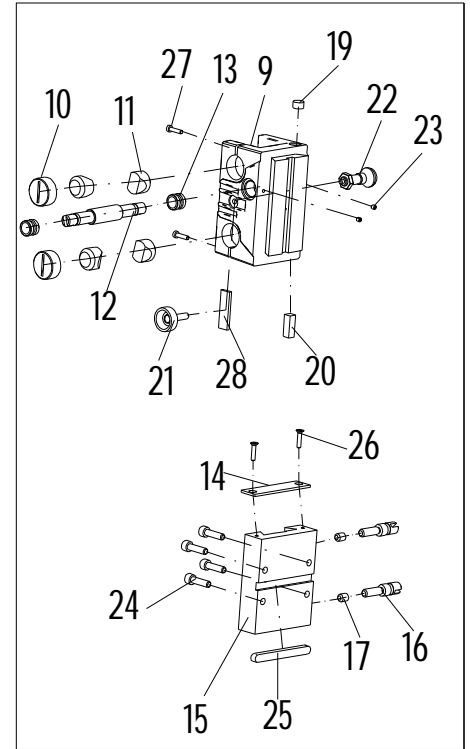
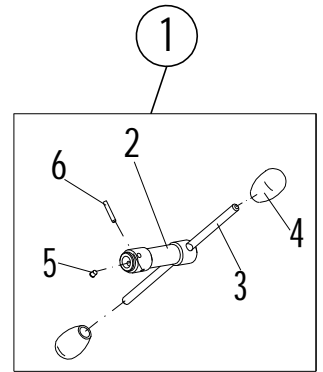
RB 208/3 Stand
CAT.NO.25831



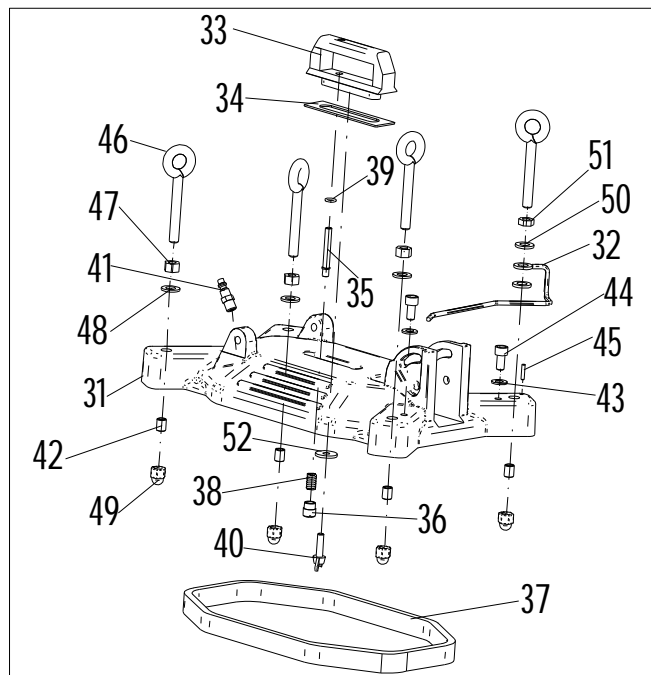
53



68



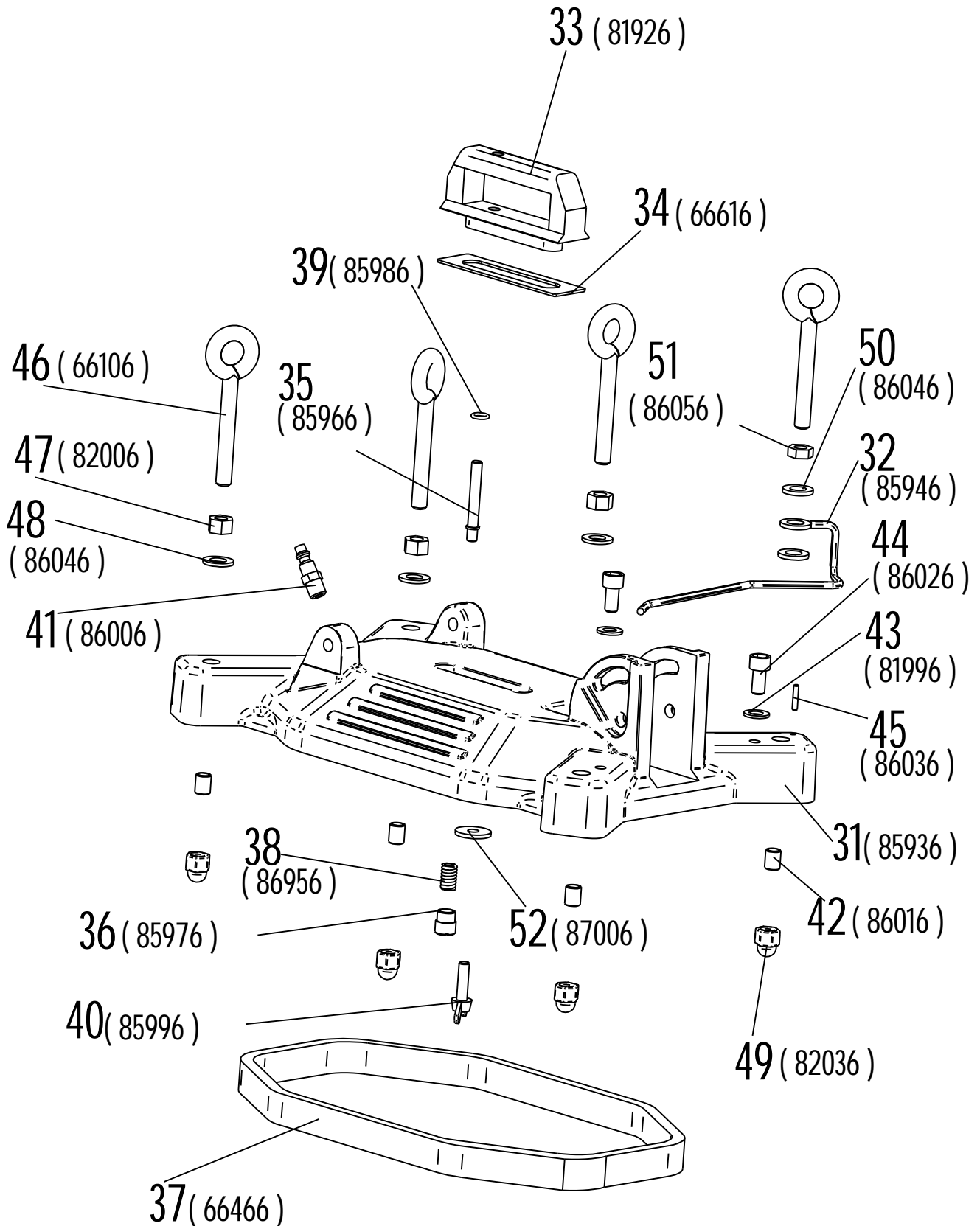
8



30

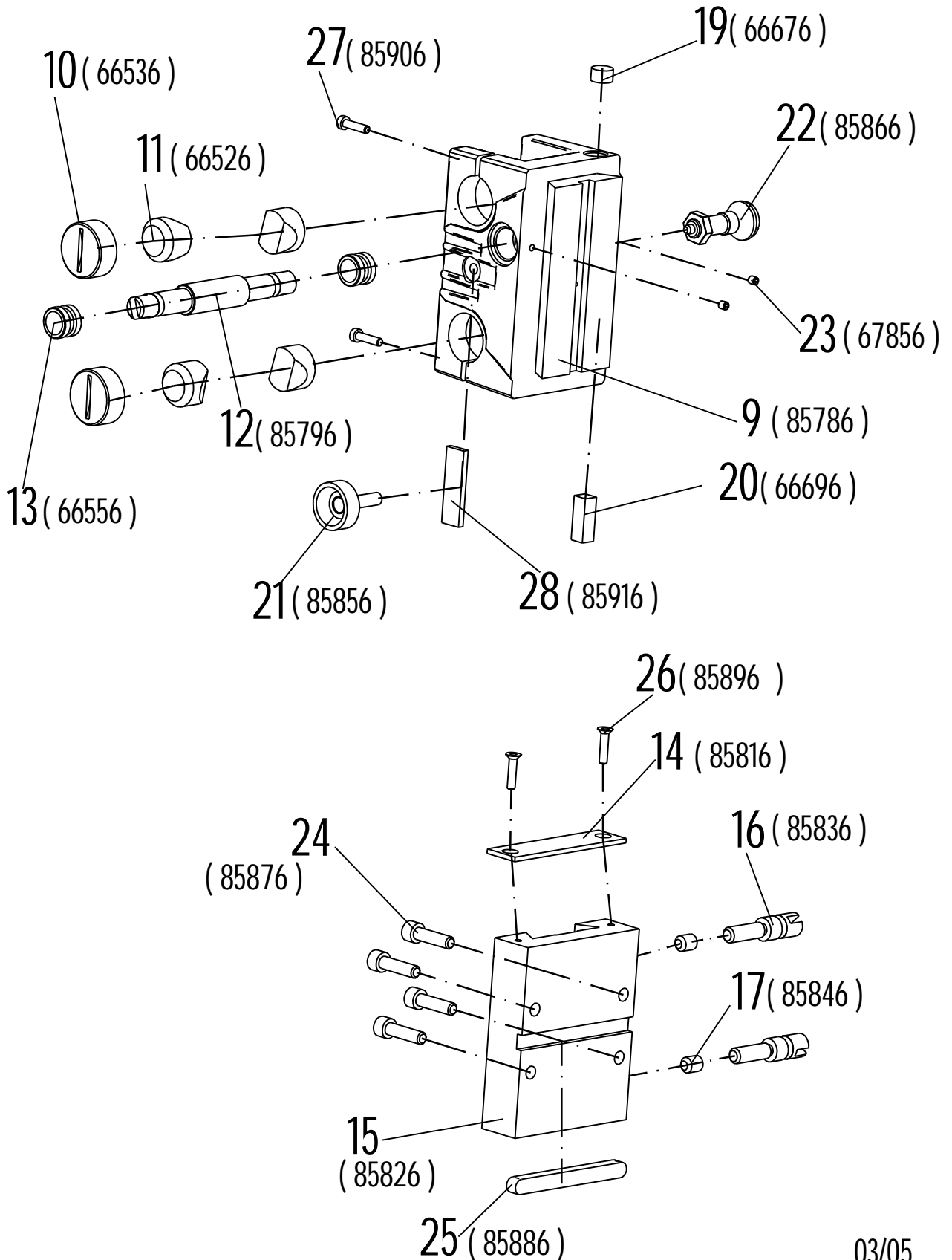
30

Base complete 85926



8

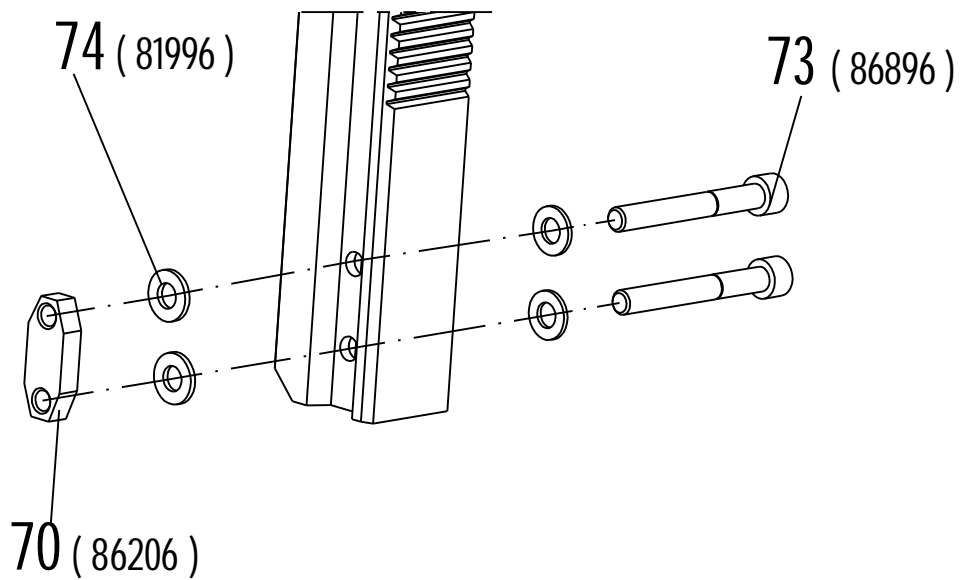
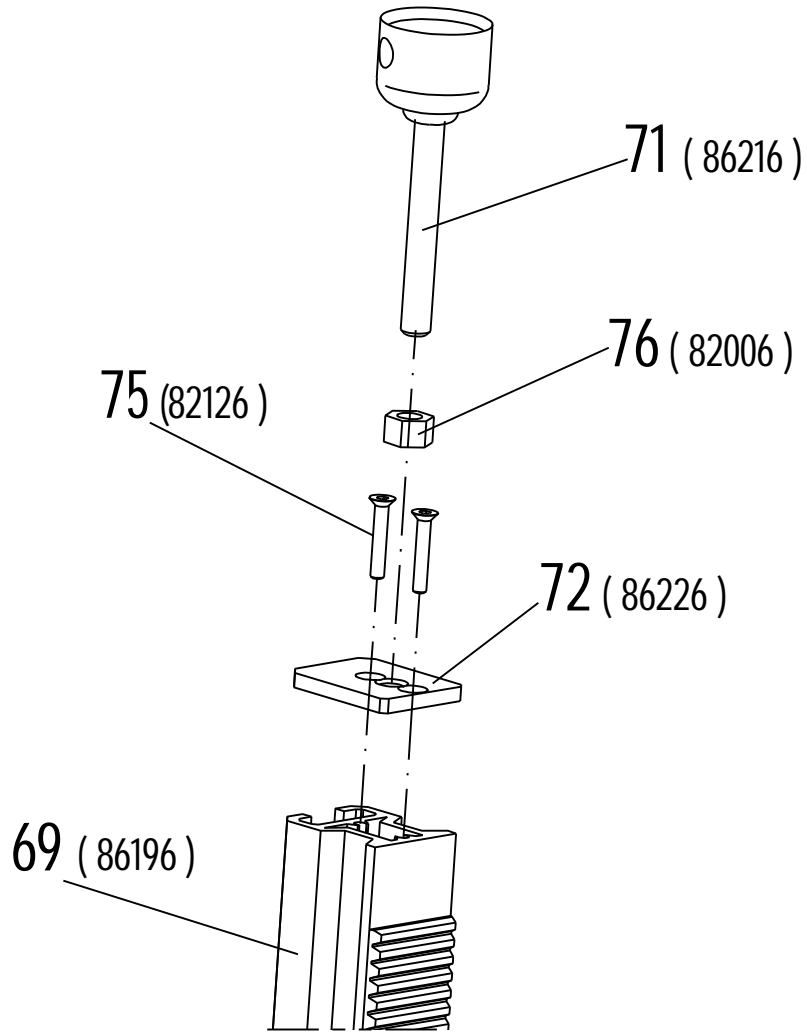
Carriage complete 85776



68

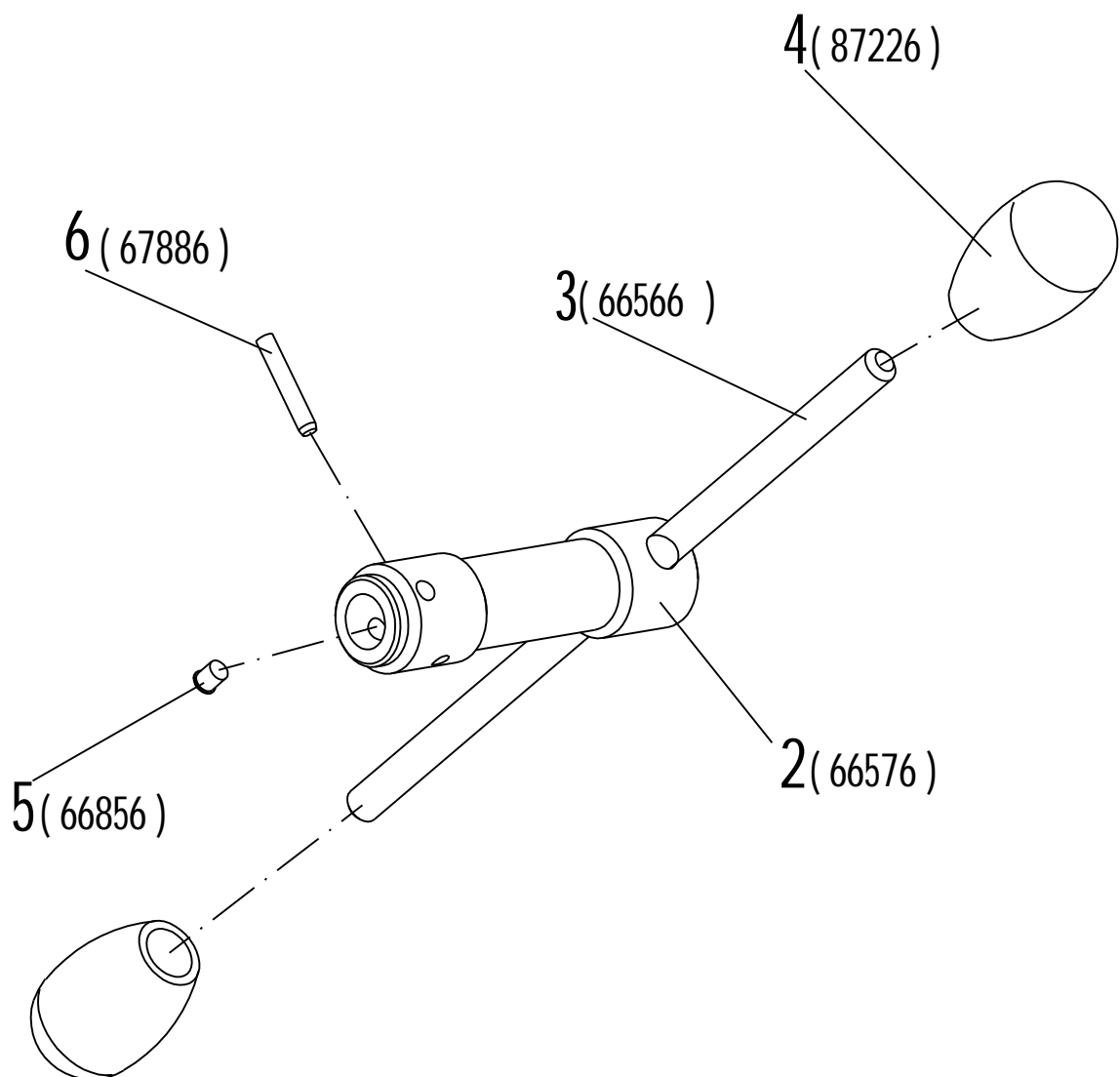
Column , complete

BR 208/3 Stand
Artikel Nr.: 09 RB 8
CAT.NO. 25831



1

Spindle , complete 87046



53

Set of support arms complete 86066

